
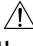




# GENUINE SEAT BACK BAR TRIM

## INSTALLATION AND USER'S INSTRUCTIONS

Thank you for purchasing a genuine Mazda accessory.  
Before removal and installation, be sure to thoroughly read these instructions.  
Please read the contents of this booklet in order to properly install and use the seat back bar trim. Your safety depends on it.  
Keep these instructions with your vehicle records for future reference.

### **WARNING**

- There are several  **WARNING** and  **CAUTION** sections in this booklet concerning safety installing or removing the roll bar trim. Always read and follow them in order to prevent injuries, accidents, and possible damage to the vehicle.  
 **WARNING:** Indicates a situation in which serious injury or death could result if the warning is ignored.  
 **CAUTION:** Indicates a situation in which bodily injury or damage to the vehicle could result if the caution is ignored.
- Do not modify the seat back bar trim.
- Do not install the seat back bar trim in any way other than described in the following instructions.
- If in any doubt, please ask your Mazda dealer to install the accessory in order to prevent errors in installation.
- If you have any questions about the use of the accessory, ask your Mazda dealer for proper advice before using it.
- Mazda and its suppliers are not responsible for injuries, accidents, and damage to persons and property that arise from the failure of the dealer or installer to follow these instructions.
- To ensure safety and reliability of the work, installation, removal and disposal work must be carried out by an Authorized Mazda Dealership.
- Be careful not to lose removed parts, and be sure that they are kept free from scratches, grease or other dirt.

**PART NAME: SEAT BACK BAR TRIM**  
**PART NUMBER: N121 V1 690F 11 (True red)**  
**N121 V1 690F 91 (Galaxy gray)**  
**N121 V1 690F 94 (Winning blue)**  
**VEHICLE: MX-5**

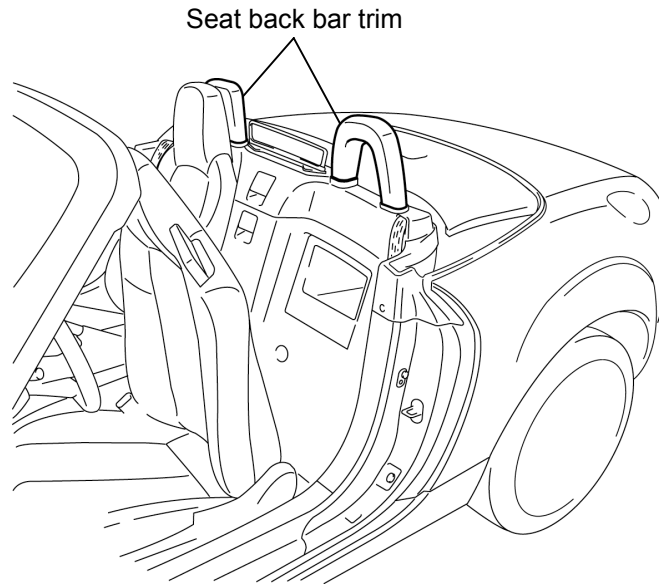
#### **To the Note**

- Please turn over these instructions to the customer after installation.

#### **To the customer**

- Keep these instructions after installation. The instructions may be necessary for installing other optional parts or removal of this accessory.
- Should the vehicle or this accessory be resold, always leave these instructions with it for the next owner.



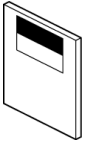
# 1 INSTALLATION VIEW



# 2 PARTS

### Note

- Before installation, verify that the kit includes all the following parts and that parts are not dirty, scratched, or damaged.

Part	Part name	Part No.	Qty.	Part	Part name	Part No.	Qty.
	Seat back bar trim (Rear) RH, LH	RH: N121 V1 695F ** LH: N121 V1 696F **	1ea.		Roll bar trim (Front) RH, LH	RH: NE51 69 712 LH: NE51 69 722	1ea.
	Installation and User's instructions	—	1				

### NOTE

- Choose the color of the seat back bar trim (rear) RH, LH according to the color of the vehicle.
  - RH** Part number : N121 V1 695F 11 (True red color)  
Part number : N121 V1 695F 91 (Galaxy gray color)  
Part number : N121 V1 695F 94 (Winning blue color)
  - LH** Part number : N121 V1 696F 11 (True red color)  
Part number : N121 V1 696F 91 (Galaxy gray color)  
Part number : N121 V1 696F 94 (Winning blue color)

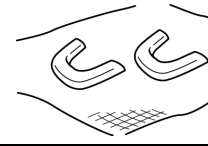
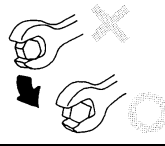
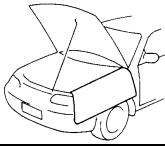
### 3 BEFORE INSTALLATION

#### ⚠ CAUTION

Be sure to cover the vehicle body with protectors or mats to prevent stains, scratches and damage when removing/installing the vehicle parts

Use the most appropriate (size, use) tool for each task and perform the may be damaged.

Place the removed parts and kit accessories on a protective sheet to prevent scratches.



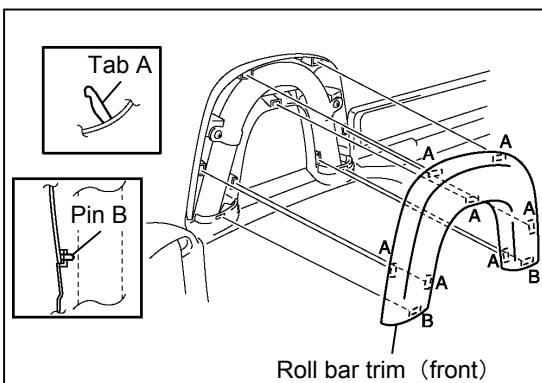
#### Note

- Refer to the Workshop Manual for removal and installation of vehicle parts. Not following the procedures for removal/installation in the Workshop Manual could result in an accident or vehicle malfunction.

### 4 PART REMOVAL

#### Note

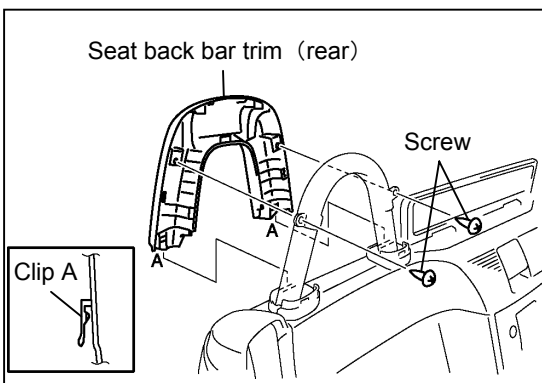
- The directions are given for the right side, however, the directions for the left side are the same.



- Pull the roll bar trim outward and detach tabs A and pins B.
- Remove the roll bar trim.

#### ⚠ CAUTION

- The removed roll bar trim are not used to install this accessory.



- Remove the screws.

#### ⚠ CAUTION

- The detached screws will be reused. Be careful not to damage or lose them.

- Pull the seat back bar trim upward and detach clips A.
- Remove the seat back bar trim.

### 5 SEAT BACK BAR TRIM INSTALLATION

- Install in the reverse order of the part removal.

### 6 CAUTION AFTER INSTALLATION

#### CAUTIONS ON HANDLING

- If the seat back bar trim becomes dirty, clean it in the same way as the surface of the body.
- Do not use thinner, benzene, gasoline or any organic solvent. They will cause damage to the surface of vehicle and installed parts.

**INSTALLATION  
INSPECTION  
SHEET**

**MX-5**

**SAET BACK BAR TRIM**

**N121 V1 690F 11 (True red)**

**N121 V1 690F 91 (Galaxy gray)**

**N121 V1 690F 94 (Winning blue)**

**Inspection items after installation**

- Inspect the installed/reinstalled parts for the following items.

Part	Check item ( )		
	Clearance/Fit	Scratches/Dirt	Installation/ Engagement
Seat back bar trim			
Roll bar trim			

Installation inspection sheet for seat back bar trim

Date _____, _____, _____					
VIN. _____					
Approved		Checked		Person in charge	

The term of validity for this sheet: 3 months