

MAZDA SPEED

PERFORMANCE ACCESSORIES

INSTALLATION INSTRUCTIONS

Please check for compliance with local law prior to purchase and installation of this device

PART NUMBER:
GRMS-8M-D14A

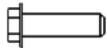
SPORT MUFFLER

APPLICABLE MODELS:
2006 -2008 Mazda MX-5

CONTENTS



Nut x 2 (M10x1.25)

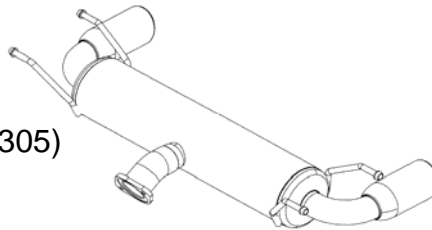


Bolt X 2 (M10x1.25x25)



Gasket X 1 (LF45-40-305)

Warrant sheet X 1



Muffler Assembly X 1

TOOLS REQUIRED

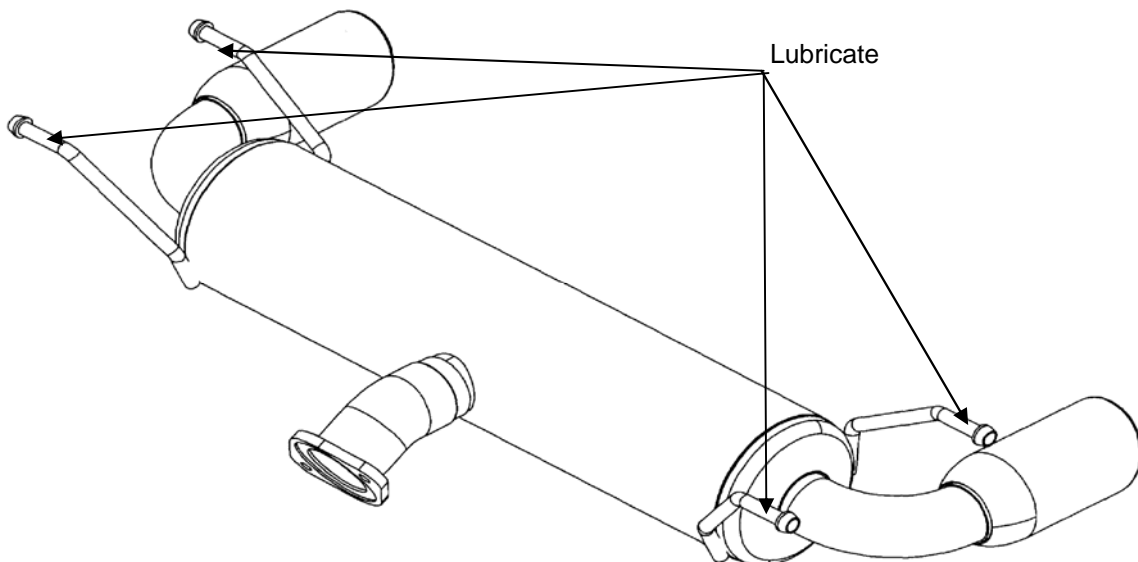
14mm Socket
14mm Wrench
Ratchet
Pry Bar
Safety Glasses
Spray Lubricant

0 PRE INSTALLATION

1. Read entire instruction sheet before proceeding.
2. Allow vehicle exhaust to cool down before attempting installation.
3. If raising vehicle, use wheel chocks and jack stands.
4. Wear eye protection.
5. Mazdaspeed Accessories carry a different warranty than Mazda Genuine Accessories. Review the applicable warranty statement with your Mazdaspeed dealer. This product is sold under the Mazdaspeed Green Warranty Statement (See attached Warranty Statement Sheet).

1 MUFFLER REMOVAL

1. Use the spray lubricant to spray the (4) rubber hangers, being sure to lubricate the lower hanger posts.
2. Unbolt the (2) exhaust nuts
3. Using a pry bar, carefully push the rubber hanger off the posts on the muffler.
Note: support the mufflers when performing this step.
4. Remove the muffler from the vehicle.
5. Remove exhaust gasket.

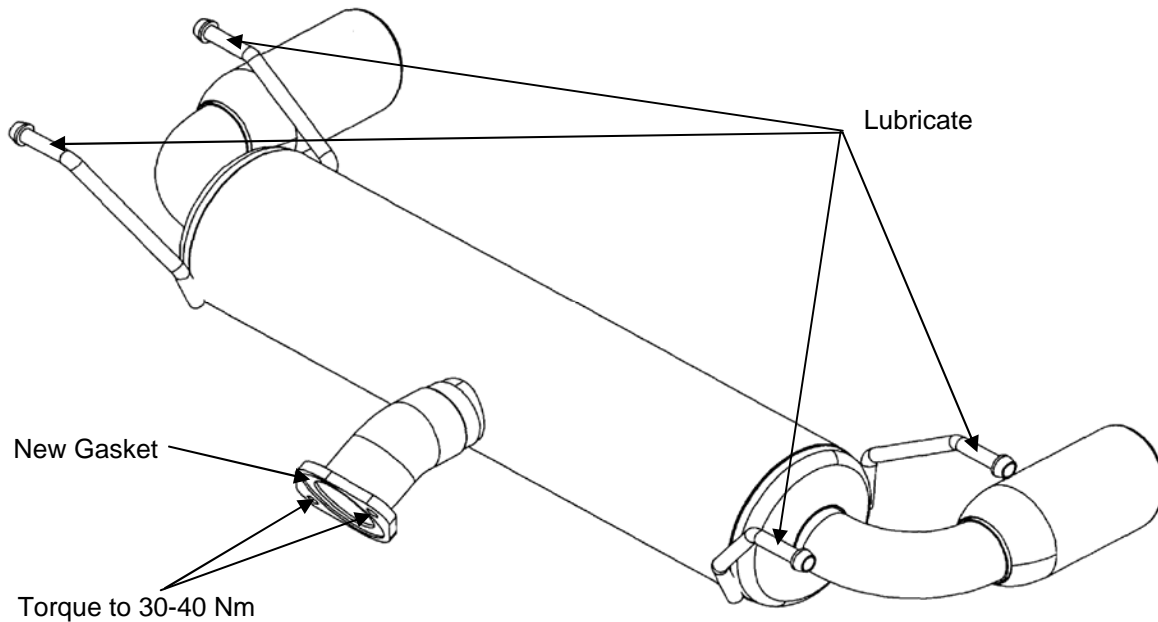


2 INSTALLATION OF MAZDASPEED MUFFLER

1. Install the included Exhaust Gasket.
2. Apply lubricant to all hanger posts (4) places. Carefully fit the exhaust assembly into place under the vehicle. Insert the (4) posts into the rubber hangers until the rubber hanger is centrally located on the straight portion of the post. (VIEW A)
3. Install the (2) bolts supplied and fasten with the (2) nuts supplied. **Make sure the gasket is correctly placed.** Torque the nuts to 30-40 Nm (22-30 ft-lbs).



VIEW A



3 POST INSTALLATION INSPECTION / CLEAN-UP

1. Inspect all connection points.
 - Rubber hangers (Post completely inserted 4 locations).
 - Flange nuts (Tightened to correct specification 2 locations).
2. Inspect for exhaust leaks.
 - Start vehicle,
 - Using a large cloth rag, momentarily place it over the exhaust outlets. Closely listen for leaks at the exhaust flange. Note: Do not hold the rag over exhaust for an extended period of time as rag will get very hot.
 - Remove rag.
3. Wipe excess lubricant and finger prints off of the muffler and polished exhaust tips.
4. Return original muffler, bolts, nuts, gasket and installation instructions to customer.