

Mazda®

Genuine Accessories

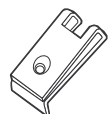
Installation Instructions

Part Number
0000-8G-D03

Front Mask

Applicable Models:
2006 > Mazda MX-5 without Air Dam

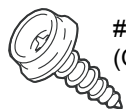
Package Contents



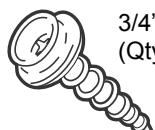
U-Nut (Qty. 4)



Washer (Qty. 4)



#8 Snap Head Screw
(Qty. 4)



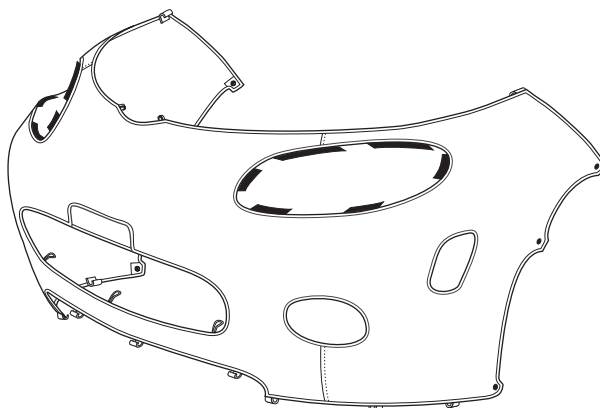
3/4" Snap Head Screw
(Qty. 2)



Molly Shroud
(Qty. 2)



Hood Cover (Qty. 1)



Front End Cover (Qty. 1)

Tools Required

Stubby Phillips
Screwdriver

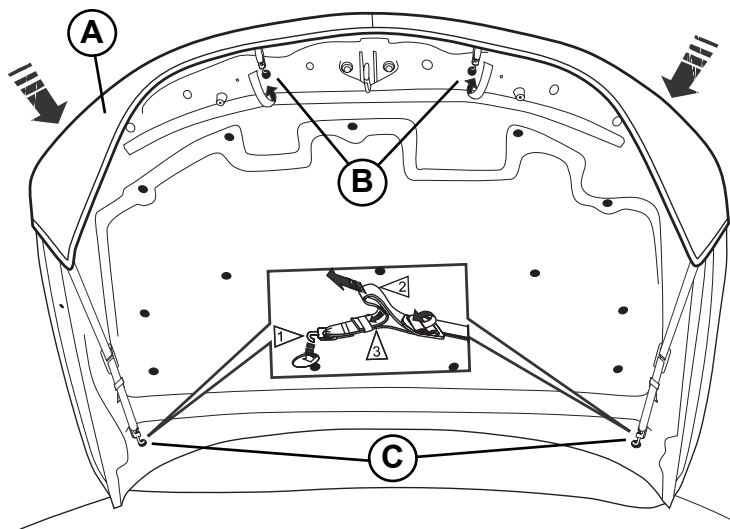


0 Before Installation

- A. Area to be covered by mask must be clean. It is recommended that you wash and wax vehicle prior to installation.
- B. Both vehicle and mask must be completely dry prior to installation. If moisture under mask is allowed to dry on vehicle, paint may cloud.
- C. Any repainted surfaces in contact with mask must be allowed to cure completely. Consult paint manufacturer or repair facility if you are not sure.
- D. Dealers should provide all customers with a copy of these installation instructions for future reference.

1 Install Hood Cover

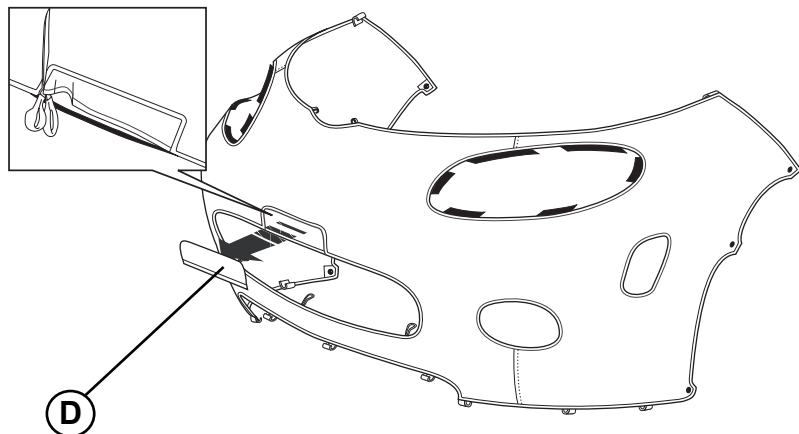
- A. With hood open, stretch hood cover (A) onto hood, pulling each side one or two inches at a time, until corners fit snugly. Install elastics with hooks (B) and hooks on ends of straps (C) in corresponding holes on underside of hood. Pull evenly on ends of adjustable straps until tight. Secure loose ends in elastic loops.



2 Cut outs on front end cover

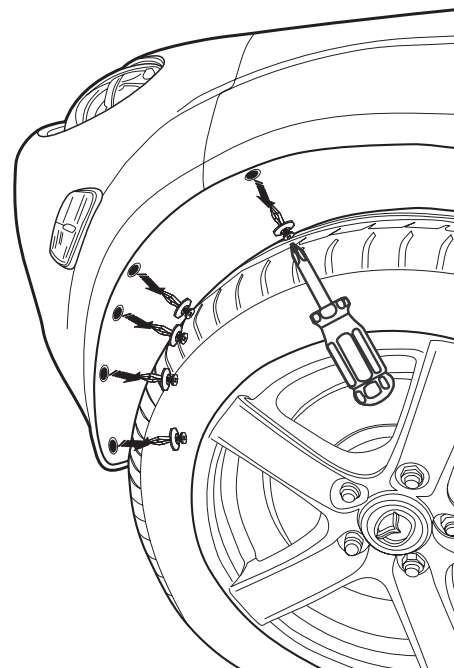
A. If state or provincial law requires use of front license plate, cut hole out in license plate cutout area (D) using scissors. Slip opening and elastic around bracket.

Caution: Cut out section previous to mask installation, making sure to not cut elastic strap.



3 Remove wheel well fasteners

A. Using stubby phillips screwdriver, remove the four plastic fasteners illustrated below along front edge of both front wheel wells.

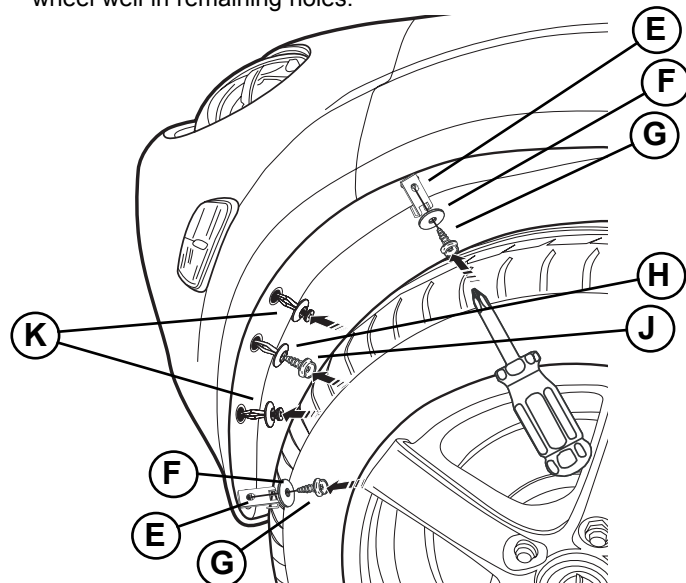


4 Install wheel well hardware

A. In both front wheel wells, lift wheel well liner to reveal holes.

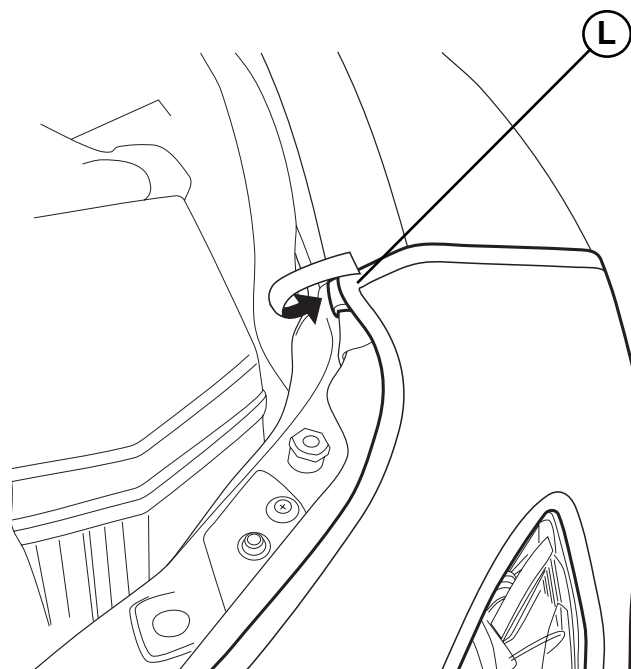
B. Slip u-nuts (E) over top and bottom holes in metal edge that correspond to the front mask. Make sure that the holes are aligned properly.

C. Release liner to its original position. Using a stubby phillips screwdriver, install washers (F) and #8 snap head screws (G) into holes with newly installed u-nuts (E). Install the molly shrouds (H) and the #12 snap head screws (J) in middle holes located in wheel well that correspond with the front mask. Replace original plastic fasteners (K) removed from wheel well in remaining holes.



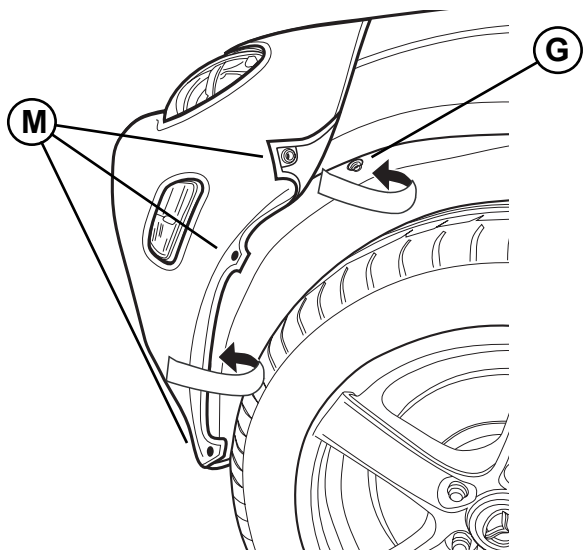
5 Install upper clips

A. With hood open, lay front end cover over front of vehicle. On driver's side of vehicle, attach clip (L) to metal edge of fender. Repeat on passenger's side.



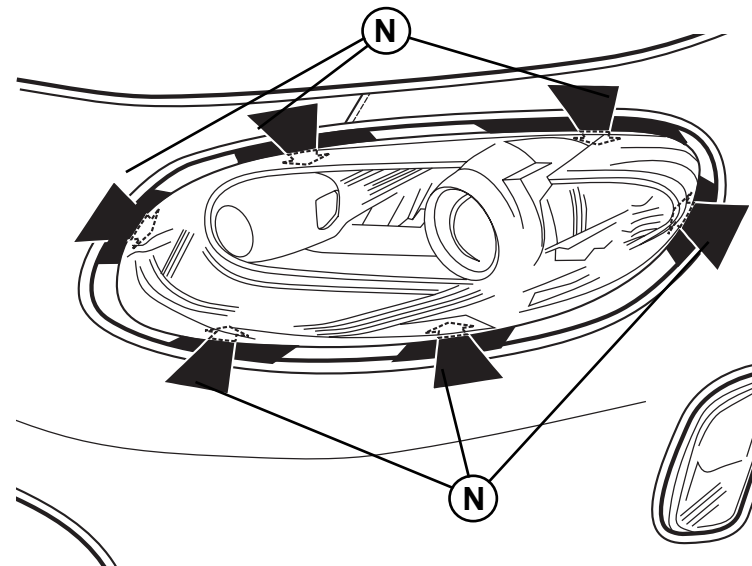
6 Install wheel well attachments

A. Press snaps (M) onto snap head screws (G,J) in both front wheel wells. Assistance may be required to evenly pull mask to snaps.



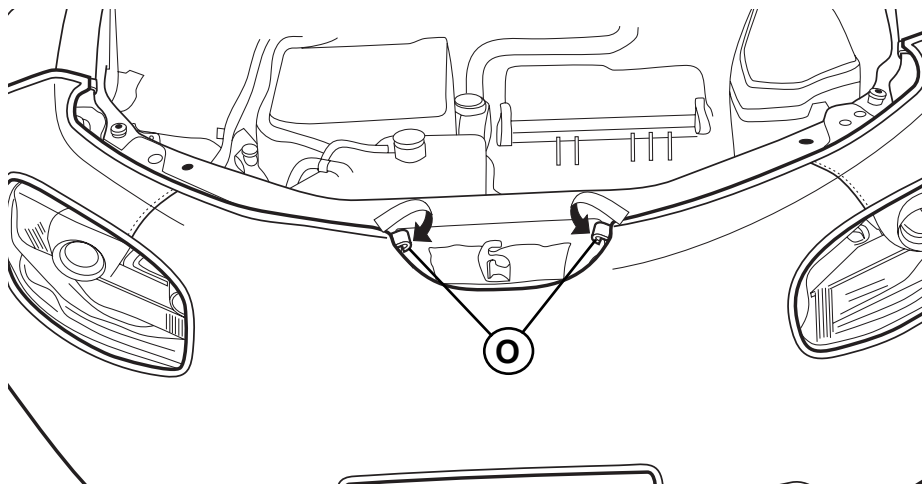
7 Install pads

D. On driver's side, insert pads (N) in slots around headlights. Repeat on other side of vehicle.



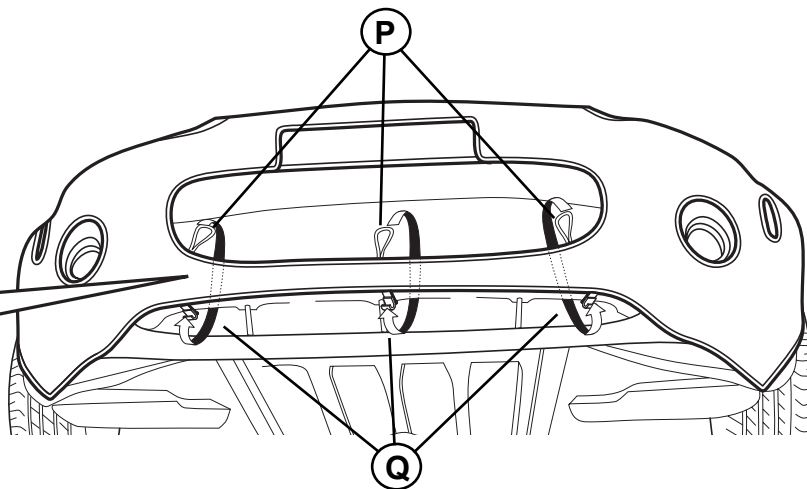
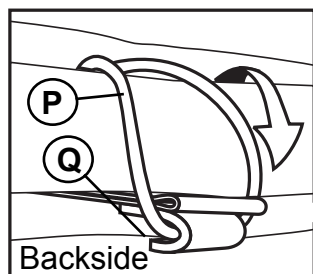
8 Install upper area attachments

A. Attach clips (O) to edge of metal surrounding hood latch.



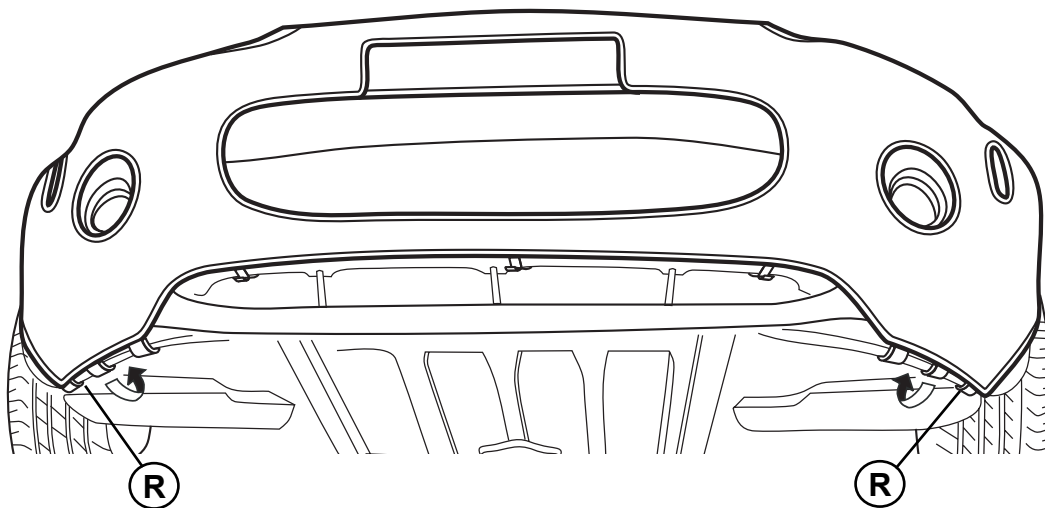
9 Install lower fascia attachments

A. Insert bungee loop (P) through hole in air intake grille. Push ribbon with plastic clip back under fascia and hook bungee loop (P) to plastic clip (Q).



10 Install lower bungee

A. Attach clips (R) to edge of lower fascia.



11 Post Installation Inspection

- A. Close hood and check alignment between hood cover and front end cover along seam (between fender and hood). If adjustment is necessary, adjust the hood cover by adjusting the hood cover straps. Refer to step 1.
- B. If mask should flap due to high speed or wind conditions, adjust or remove mask completely.

12 Care and Cleaning

- A. Always remove mask before washing vehicle.
- B. Hand clean mask using mild soap, rinse thoroughly with clean water and line dry completely. Do not machine dry!
- C. Use Mazda Vinyl/Leather Protectant (or equivalent) to preserve color and finish.
- D. If mask is left on vehicle in rain, dirt can potentially be washed under the mask and could scratch the vehicle. It is recommended that the mask be removed and cleaned along with vehicle as instructed if left on during rain, sleet or snow.
- D. **WARNING:** Running up on curb will damage this product. Manufacturer will not be responsible for damage to product due to accident or misuse.