



GENUINE ACCESSORIES  
INSTALLATION INSTRUCTIONS

PART NUMBER:  
0000-8K-D11A

CARGO NET

APPLICABLE MODELS:  
2006 > MAZDA MX-5

**PACKAGE CONTENTS**

Cargo Net  
Hardware kit  
Drilling Template  
Installation Instructions

**TOOLS REQUIRED**

Drill  
Drill bit - 3/16"  
5mm Drill Stop  
Vacuum

**1 Installing Hardware - Retractable Soft Top**

1. Open lift gate.
2. Locate the two mounting location as indicated by the arrows. (Fig. 1)
3. On driver's side, position drilling template, align the edges and tape in place. (Fig. 2)

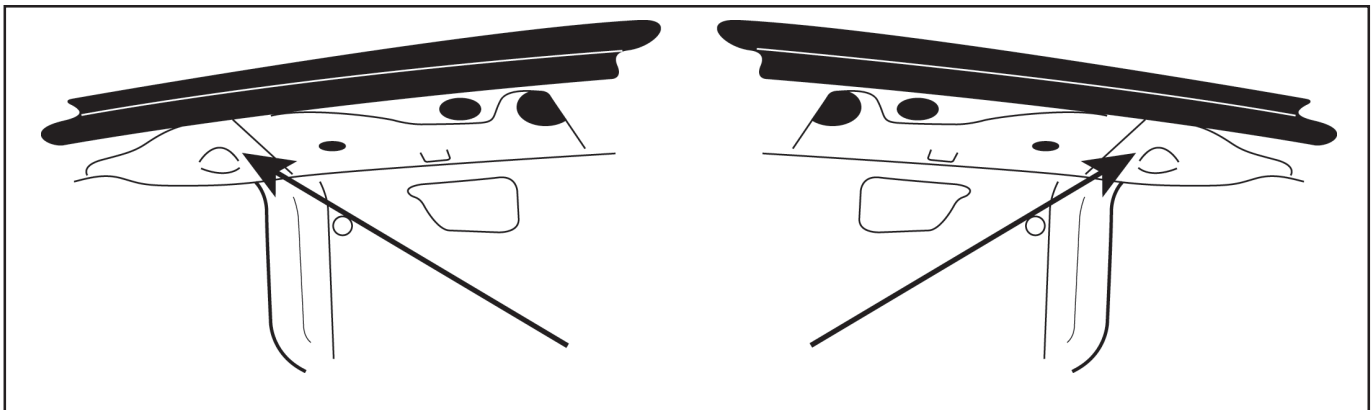


Fig. 1

**NOTE:**

THERE ARE TWO DIFFERENT DRILLING TEMPLATES FOR THE RETRACTABLE SOFT TOP AND RETRACTABLE HARD TOP VERSIONS FOR MODEL YEARS 2006-2008 AND 2009 >.

## 2 Installing Hardware - (Cont.)

4. Using a punch, mark the location for drilling. Remove paper template, ensure the hole is punched through, flip over paper template and repeat on passenger side. (Fig. 3)

**Note: Use a 5mm drill stop to prevent going through outside sheet metal.**

5. Using a 3/16" drill bit, drill holes in both locations. (Fig. 4)

6. Vacuum metal shavings from the trunk floor.

7. Screw in T-anchors. Tighten snugly, but do not overtighten. (Fig. 5)

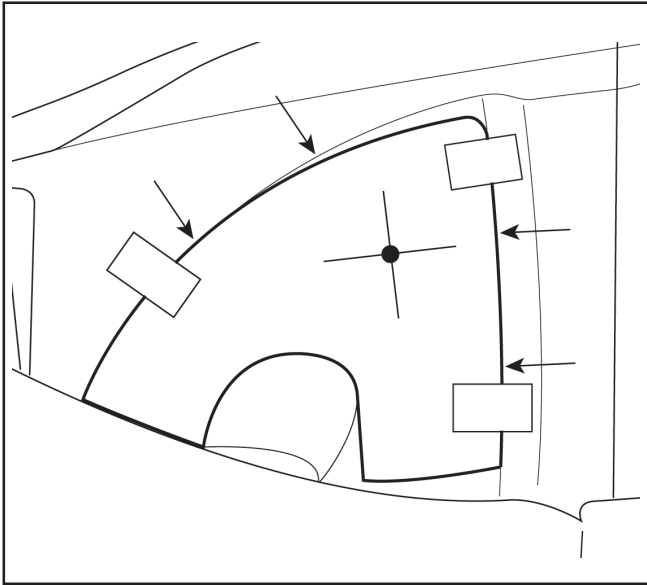


Fig. 2

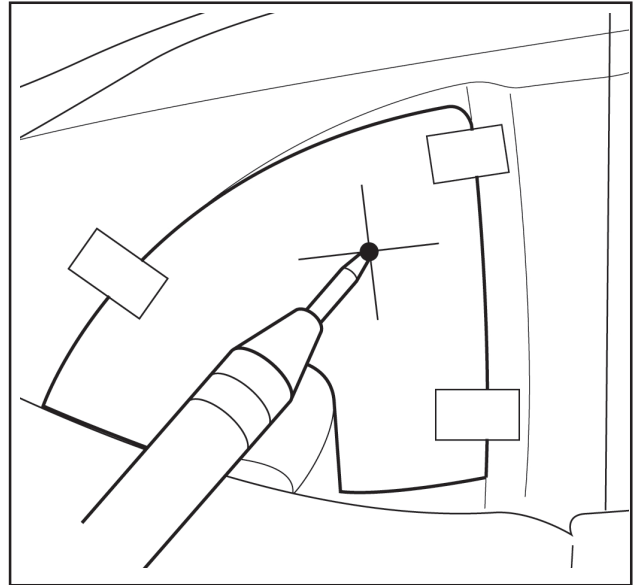


Fig. 3

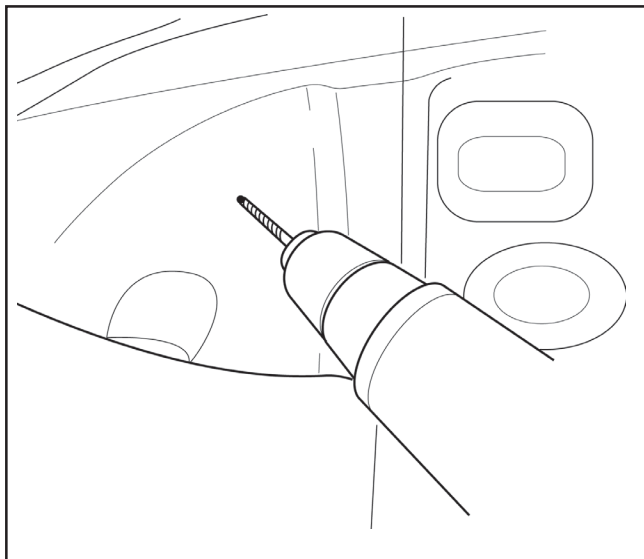


Fig. 4

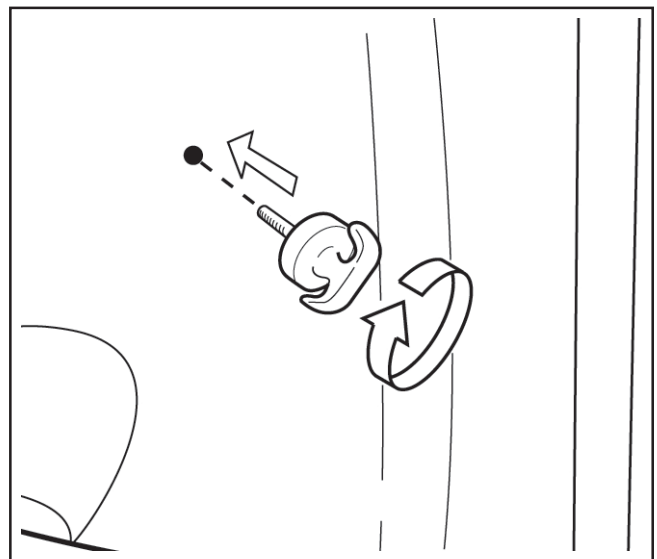


Fig. 5

## 2 Installing Hardware- (Cont.)

8. Make sure both T-anchors are orientated in the up-down position. (Fig. 6)

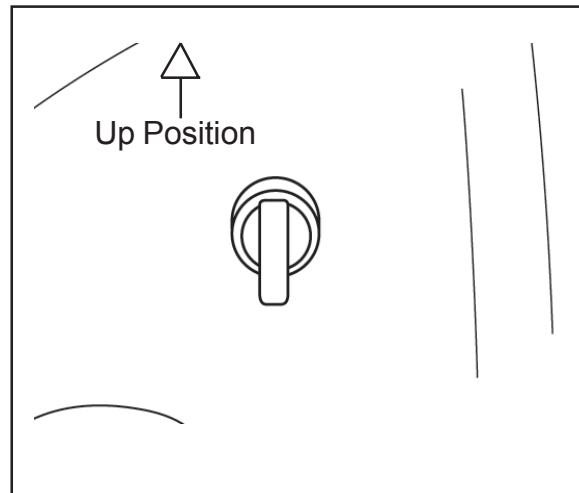


Fig. 6

## 3 Installing Net

1. Install cargo net over T-anchors, ensuring the pull tab in the middle of the net is facing rearward. (Fig. 7)
2. Confirm completed assembly. (Fig. 8)

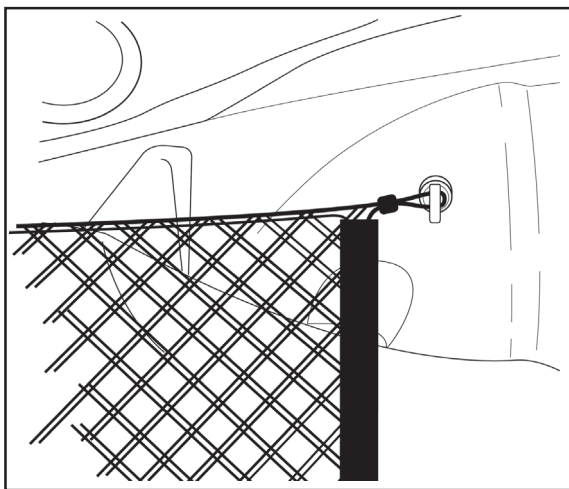


Fig. 7

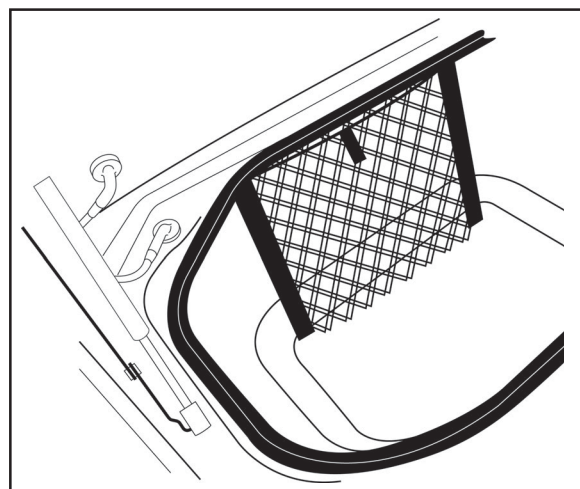


Fig. 8

## 4

### Installing Hardware - Retractable Hard Top

1. Open lift gate.
2. Locate the two mounting location as indicated by the arrows. (Fig. 1)

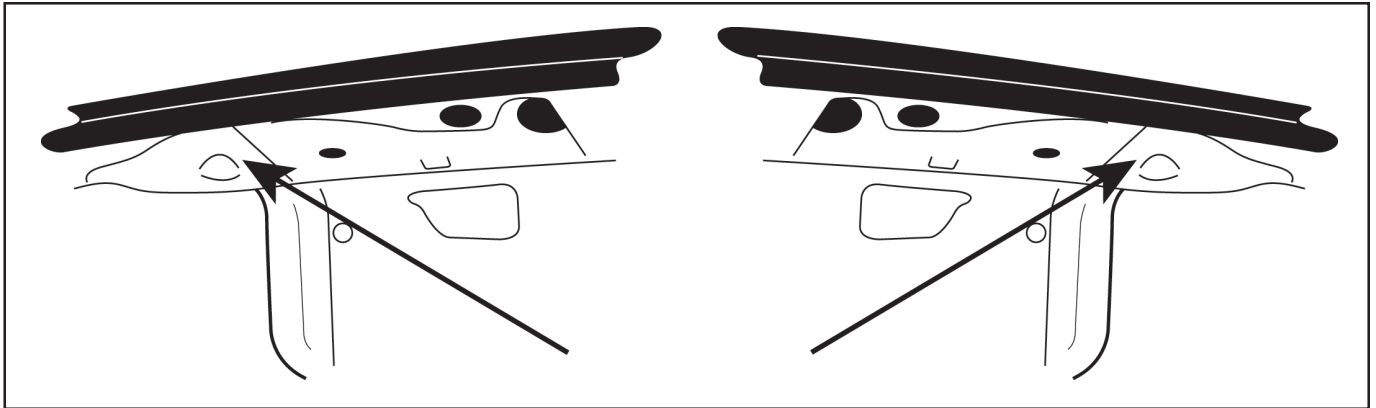


Fig. 1

3. On driver's side, position drilling template, align the edges and tape in place. (Fig. 2)
4. Using a punch, mark the location for drilling. Remove paper template, ensure the hole is punched through, flip over paper template and repeat on passenger side. (Fig. 3)

**Note: Use a 5mm drill stop to prevent going through outside sheet metal.**

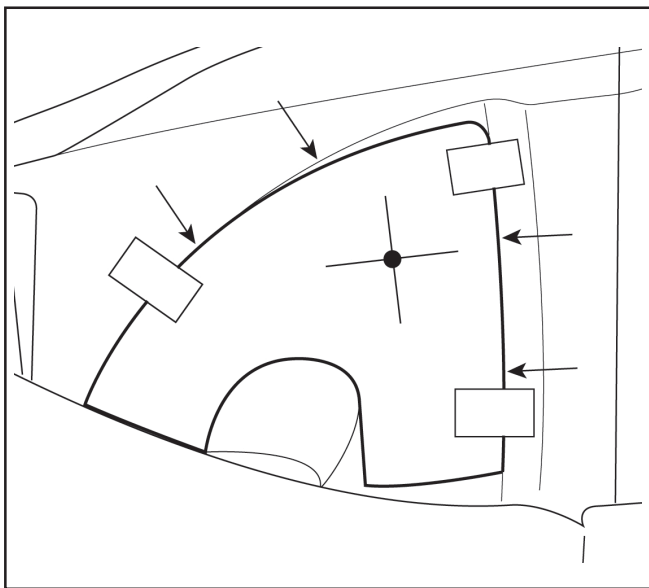


Fig. 2

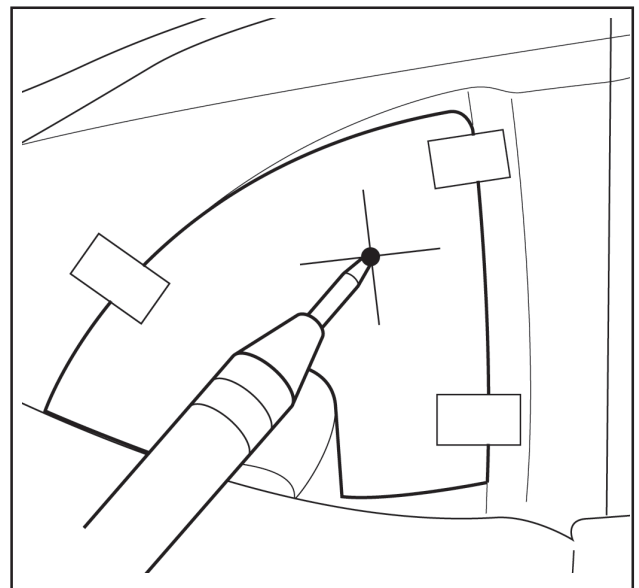


Fig. 3

5. Using a 3/16" drill bit, drill holes in both locations. (Fig. 4)
6. Vacuum metal shavings from the trunk floor.
7. Screw in T-anchors. Tighten snugly, but do not overtighten. (Fig. 5)

## Installing Hardware- (Cont.)

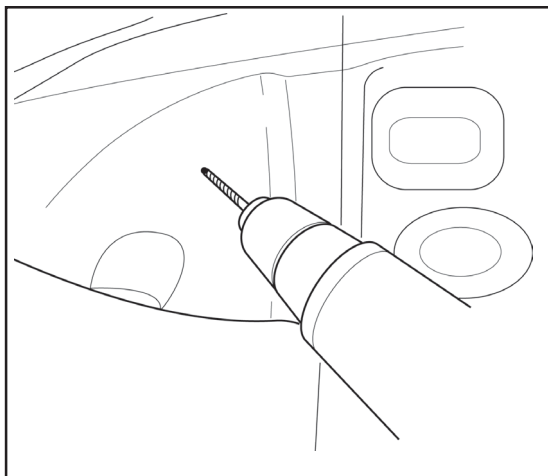


Fig. 4

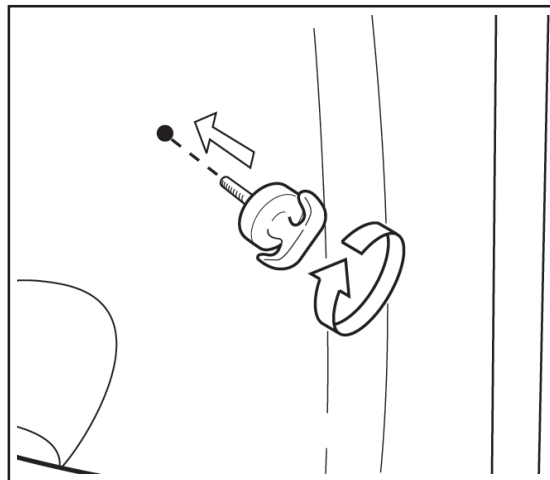


Fig. 5

8. Make sure both T-anchors are orientated in the up-down position. (Fig. 6)

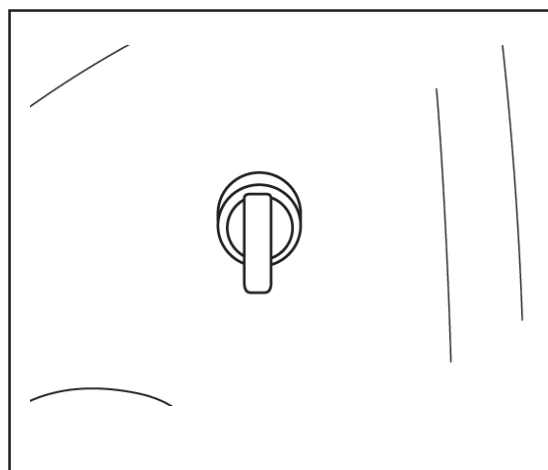


Fig. 6

**4**

9. Install cargo net over T-anchors, ensuring the pull tab in the middle of the net is facing rearward. (Fig. 7)

10. Confirm completed assembly. (Fig. 8)

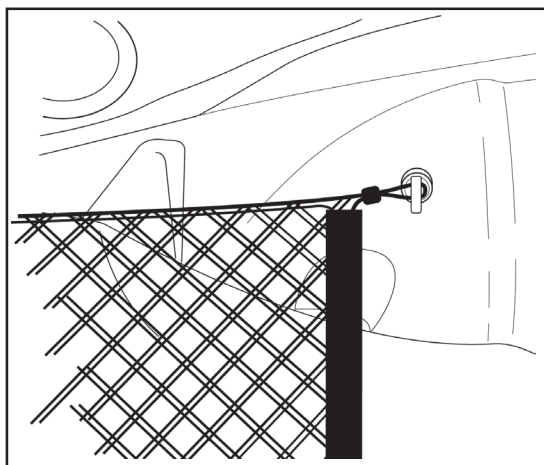


Fig. 7

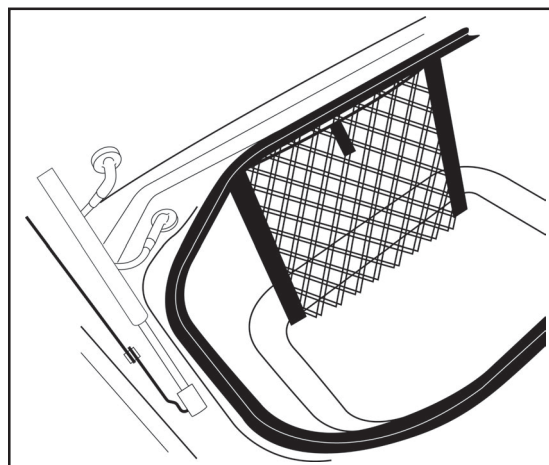
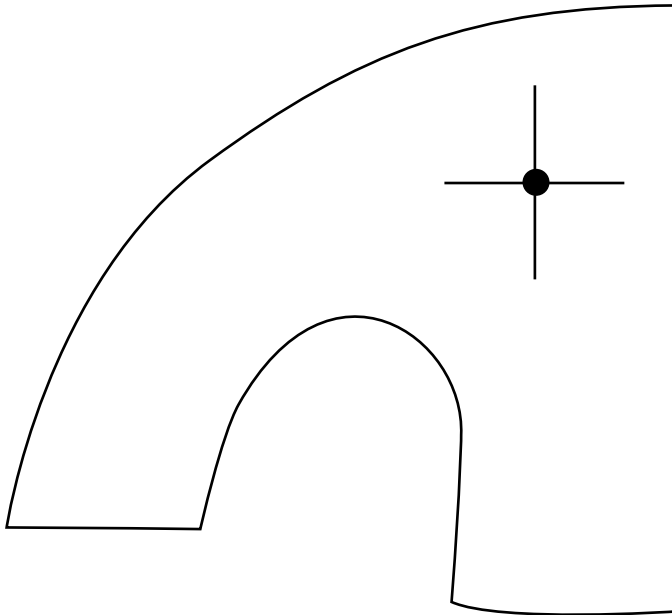


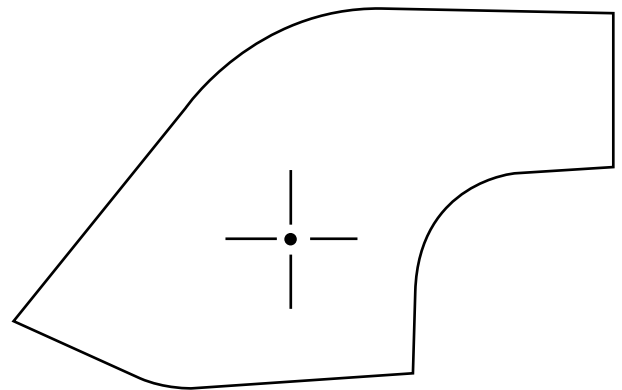
Fig. 8

2006-2008 Mazda MX-5

Mazda MX-5 RHT Driver's Side Drilling Template  
Retractable Soft Top



Retractable Hard Top



Scale: mm

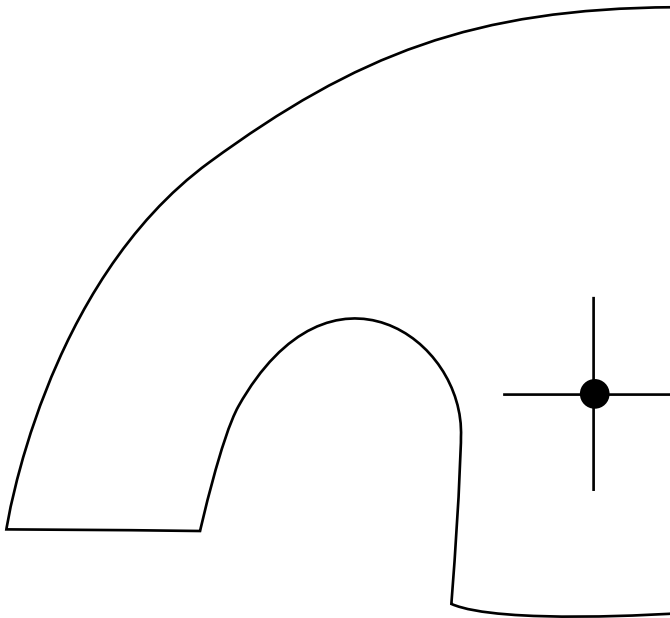
**Dealer Installation Note:** Check above scale to ensure it is 1:1.  
Adjust on photocopier if it is not to scale.

**NOTE:**

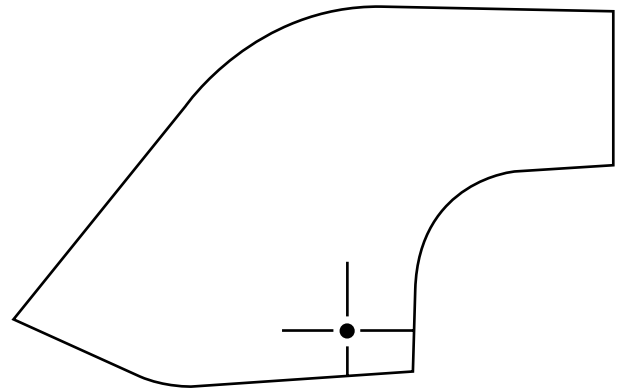
THERE ARE TWO DIFFERENT DRILLING TEMPLATES FOR THE RETRACTABLE SOFT TOP AND RETRACTABLE HARD TOP VERSIONS FOR MODEL YEARS 2006-2008 AND 2009 >.

2009 > Mazda MX-5

Mazda MX-5 RHT      Driver's Side Drilling Template  
Retractable Soft Top



Retractable Hard Top



Scale: mm

**Dealer Installation Note:** Check above scale to ensure it is 1:1.  
Adjust on photocopier if it is not to scale.

**NOTE:**

THERE ARE TWO DIFFERENT DRILLING TEMPLATES FOR THE RETRACTABLE SOFT TOP AND RETRACTABLE HARD TOP VERSIONS FOR MODEL YEARS 2006-2008 AND 2009 >.