





# GENUINE ASH CUP


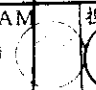

## INSTALLATION AND USER'S INSTRUCTIONS

Thank you for purchasing a genuine Mazda accessory.  
Before removal and installation, be sure to thoroughly read these instructions.  
Please read the contents of this booklet in order to properly install and use the ash cup.  
Your safety depends on it.  
Keep these instructions with your vehicle records for future reference.

### **WARNING**

- There are several  **WARNING** and  **CAUTION** sections in this booklet concerning safety installing or removing the ash cup. Always read and follow them in order to prevent injuries, accidents, and possible damage to the vehicle.  
 **WARNING:** Indicates a situation in which serious injury or death could result if the warning is ignored.
-  **CAUTION:** Indicates a situation in which bodily injury or damage to the vehicle could result if the caution is ignored.
- Do not modify the ash cup.
- Do not install the ash cup in any way other than described in the following instructions.
- If in any doubt, please ask your Mazda dealer to install the accessory in order to prevent errors in installation.
- If you have any questions about the use of the accessory, ask your Mazda dealer for proper advice before using it.
- Mazda and its suppliers are not responsible for injuries, accidents, and damage to persons and property that arise from the failure of the dealer or installer to follow these instructions.
- To ensure safety and reliability of the work, installation, removal and disposal work must be carried out by an Authorized Mazda Dealership.
- Be careful not to lose removed parts, and be sure that they are kept free from scratches, grease or other dirt.

**PART NAME: ASH CUP**  
**PART NUMBER: N121 V0 881F**  
**VEHICLE: MX-5**

受	領	
05.4.13		
		
マツダ株式会社 用品開発グループ		

#### Note

##### To the dealer

- Please turn over these instructions to the customer after installation.

##### To the customer

- Keep these instructions after installation. The instructions may be necessary for installing other optional parts or removal of this accessory.
- Should the vehicle or this accessory be resold, always leave these instructions with it for the next owner.




N121 V0 00F

# 1. PARTS

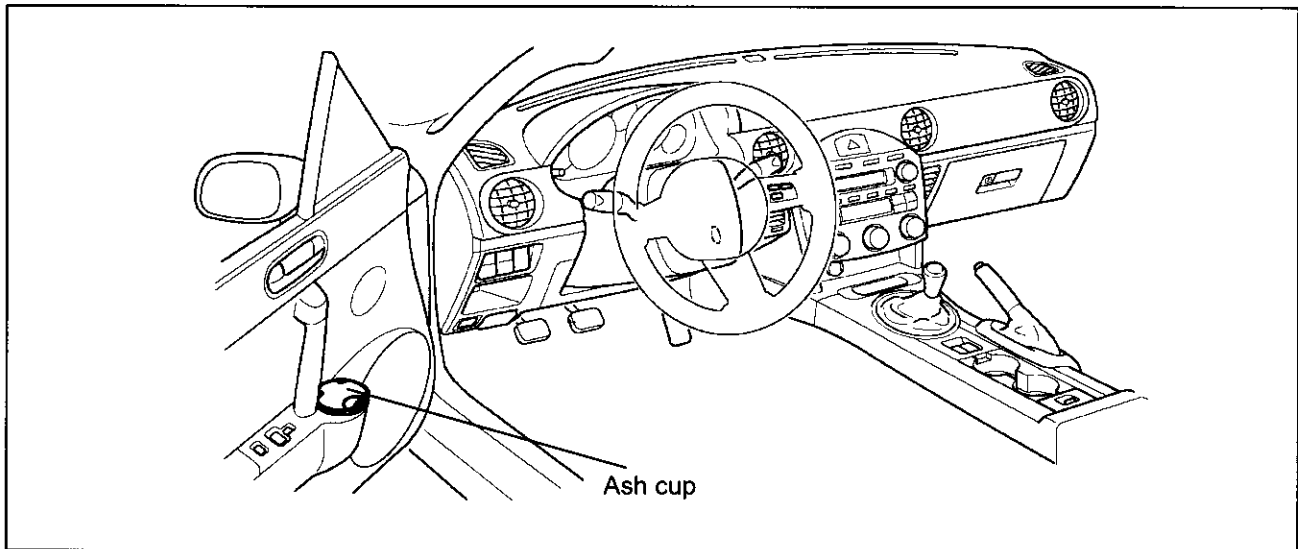
## Parts list

### NOTE

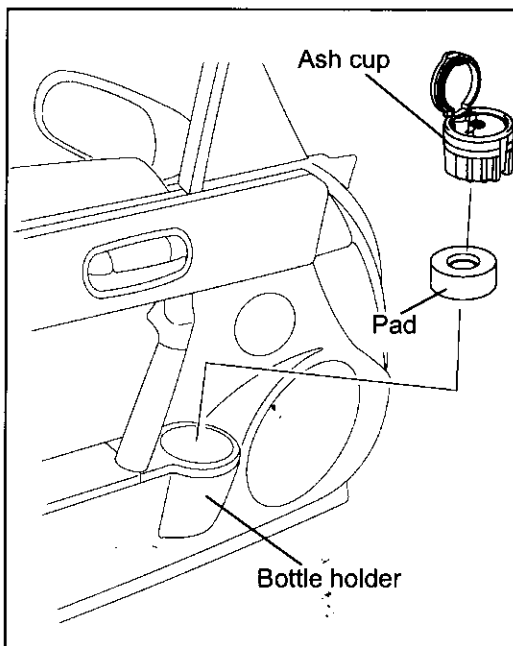
- Before installation, verify that the kit includes all the following parts and that they are free of dirt, scratches, or damage.

Part	Part name	Qty	Part	Part name	Qty	Part	Part name	Qty
	Ash cup (NF61 64 660A)	1		Pad (NF61 68 4H6)	1		Installation and User's instructions	1

## Installation view



# 2. PART INSTALLATION



1. Open the door fully.
2. Insert the pad in the bottle holder and install the ash cup.

### ⚠ CAUTION

- Do not install the ash cup to the bottle holder with the rear hinge of the ash cup lid pointed towards the console. Otherwise, the ash cup lid can no longer be opened or closed.

### Note

- The directions are given for the left side, however, the directions for the right side are the same.

### 3. USER'S INSTRUCTIONS

#### ⚠ WARNING

Using Ash cup Removed from its Fixed Position:

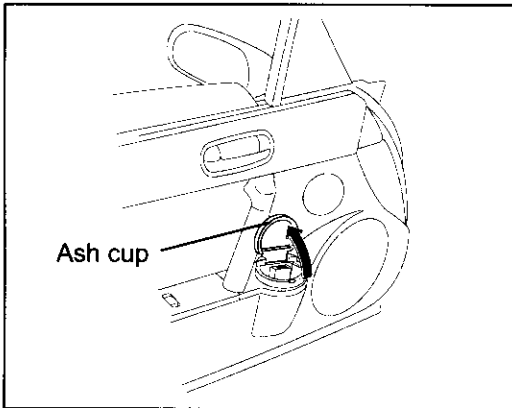
- Using an ash cup removed from its fixed position or not completely inserted is dangerous.
- Cigarettes could roll around or spill out of the ash cup into the vehicle and start a fire.
- Moreover, cigarette stubs will not extinguish themselves completely even if the ash cup lid is closed.
- Only use a rear ash cup in its fixed position, and make sure it is completely inserted.

#### ⚠ CAUTION

- Be careful not to damage or lose removed parts during removal.

#### Note

- When washing the vehicle, do not use a scrubber so that scratching of the surface is prevented.
- If dirt is difficult to remove by washing with water, use a diluted, mild detergent, and then wash with water.

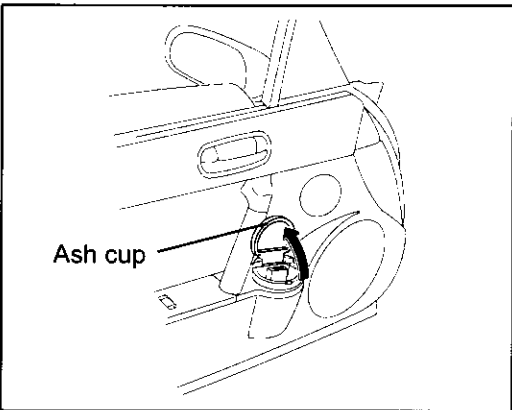


Using the ash cup

1. To use the ash cup, open the lid.

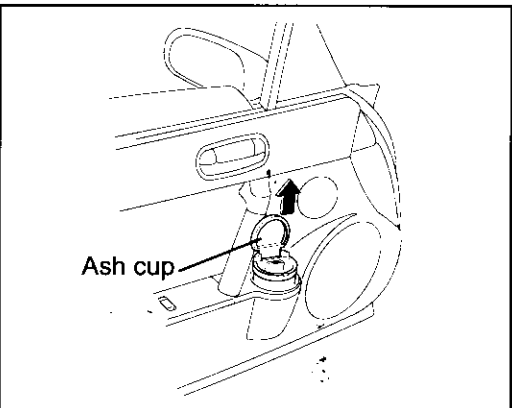
#### ⚠ CAUTION

- After using the ash cup, make sure to close the lid.



Removing the ash cup

1. Open the ash cup lid.



2. Pull the ash cup upward and remove it.

# INSTALLATION INSPECTION SHEET

MX-5

ASH CUP

N121 V0 881F

## Inspection items after installation

- Inspect the installed/reinstalled parts for the following items.

Part	Check item (○)		
	Clearance/Fit	Scratches/Dirt	Installation/ Engagement
Pad	○	○	○
Ash cup	○	○	○

### Installation inspection sheet for ash cup

Date				
VIN				
Approved		Checked		Person in charge

The term of validity for  
this sheet: 3 months